



SHARED COLLECTIVE SYSTEM CHIMNEYS SAVE SPACE AND PRODUCE A BETTER ENVIRONMENT

The **3CE NATURAL** & **3CE P Multi+** ranges have been developed to provide a CE marked and correctly designated collective system chimney solution for multiple boilers in apartment blocks, with three ranges to suit all boilers, condensing and non-condensing and are ideal for new build and renovation projects.

RENOVATION:

With the old existing boilers in apartment blocks, requiring replacement, the 3CE systems can be a perfect solution, when upgrading to the now required condensing boilers.

NEW BUILD:

The 3CE solutions provide a safe space saving design, avoiding unsightly multiple horizontal terminals (pepper pot) along with concerns over multiple condensing plumes.

3CE RANGES

p 18 **3CE P MULTI + INTERNAL**
Suitable for C4 boilers

p 20 **3CE P MULTI + EXTERNAL**
Suitable for C8 boilers

p 22 **3CE NATURAL**
Suitable for C4 boilers

3CE P MULTI+ INTERNAL

Gas

Suitable for C4 & C4P boilers

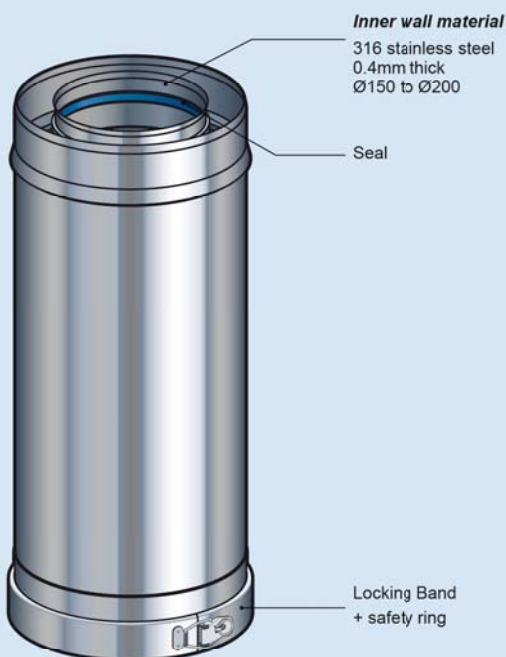
The 3CE P MULTI+ system (internal version) is a specially designed common shared system chimney for flue gas evacuation and air supply for domestic room-sealed C42, C43, C42P & C43P boilers in flats & apartments, ideally suited for new build projects.

In renovation projects, it is an ideal solution in cases where multiple room-sealed condensing boilers cannot be installed on the face of the building and there is a usable service shaft or existing U-duct

This system requires the use of the Poujoulat flue gas non-return valve unless the boiler is provided with its own non-return valve.

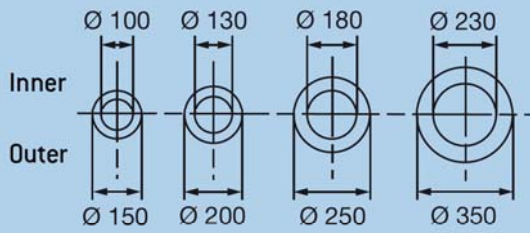


BENEFITS



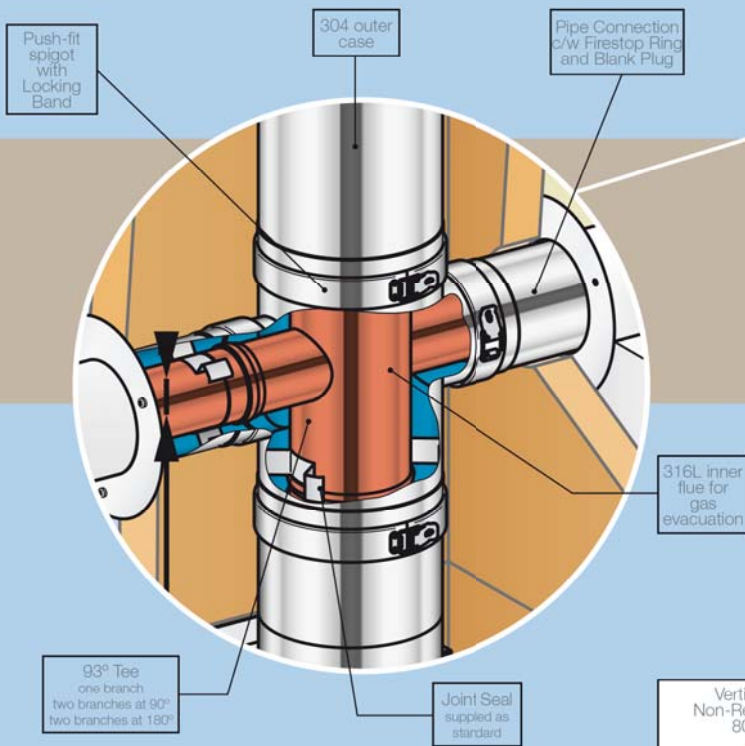
- **OPTIMISATION:** Providing the designer the ability to use the minimum space with a shared system chimney in accordance with BS 5440:2008.
- **PERFORMANCE:** Watertight and pressure resistant up to 200Pa for the safe evacuation of flue gases. The system guarantees correct air supply to each appliance.
- **SAFETY:** Provides the end user one flue terminal above the building avoiding multiple plumage problems.
- **INSTALLATION:** Easy to install push fit system and integrated support components.
- **INNOVATION:** The system design allows offsets to provide flexible solutions ideally suited for renovation project. Specially developed flue gas non-return valves on the flue connection enable the use of any C4 type boilers.
- **AESTHETIC:** Avoids unsightly horizontal discharge terminals, along with condensate staining issues to the building fabric.

Technical data



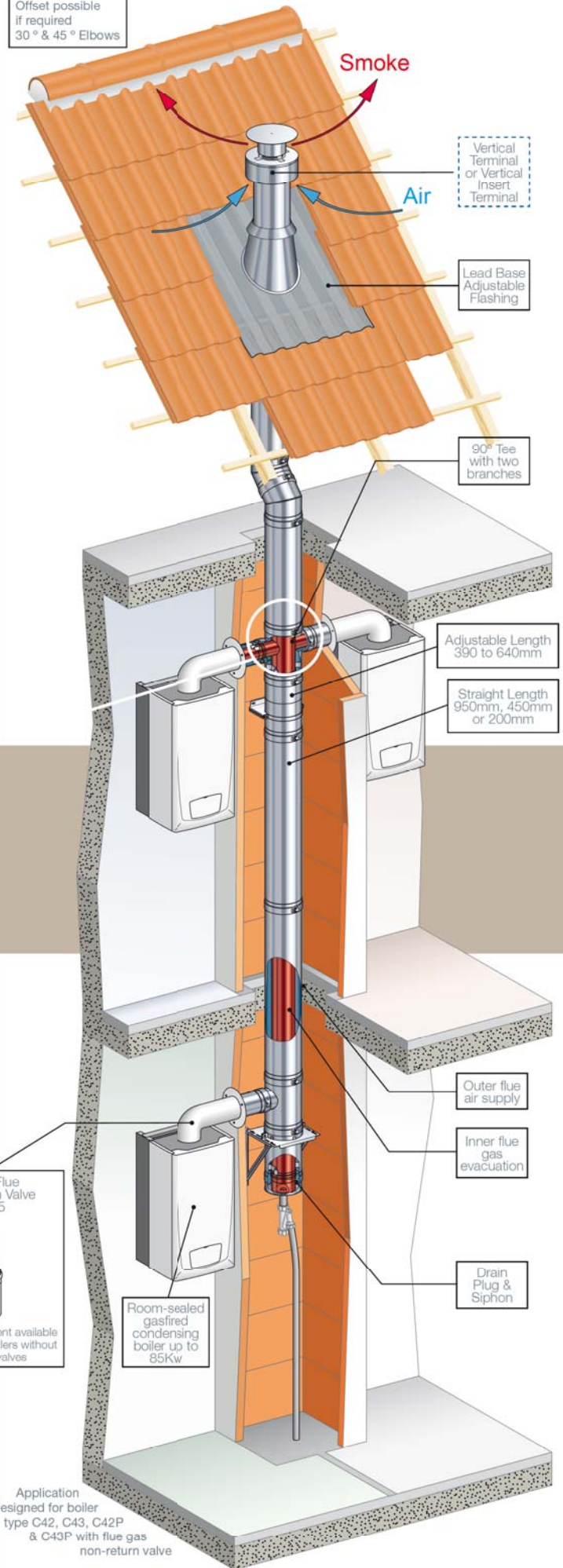
OUTPUT / NUMBERS OF BOILERS		
Maximum number of C4 boilers per system	Diameter of the inner flue in mm	Diameter of the outer air supply in mm
3	100	150
6	130	200
9	180	250
14	230	350

Note: 2 boilers per floor with boiler flue gas outlet pressure of 100Pa



CE 0071 CPD 014
 BS EN 1856-1
 Ø100/150 and 130/200
 T160 P1 W V2 L50040 O20
 Ø180/250 and Ø230/350
 T160 P1 W V2 L50060 O20

Offset possible if required
30° & 45° Elbows



Application designed for boiler type C42, C43, C42P & C43P with flue gas non-return valve

3CE P MULTI+ EXTERNAL

Gas

Suitable for C8 & C8P boilers

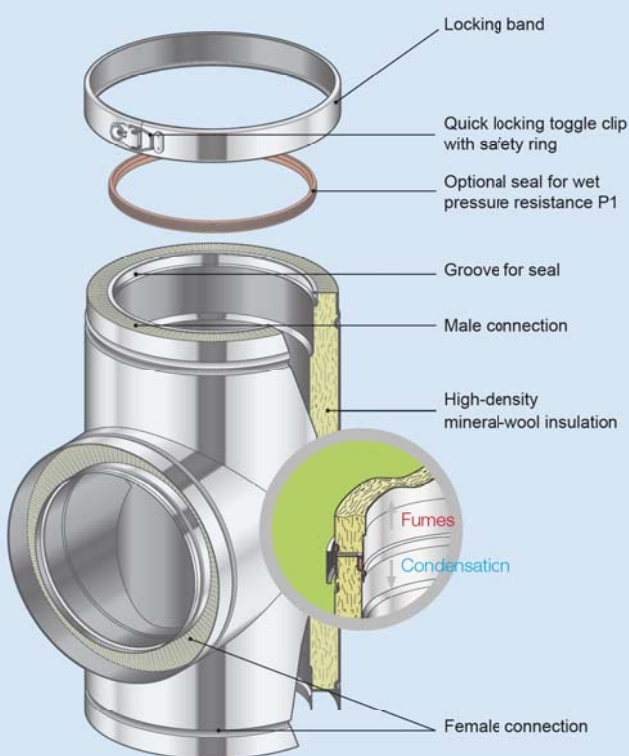
The 3CE P MULTI+ (External version) is intended as a common shared collective vertical flue for flue gas evacuation and air supply for domestic room sealed C82, C83, C82P & C83P boilers in flats & apartments, ideally for renovation projects, but also suitable for new build.

The external system chimney is pre-insulated; minimizing the risk to freezing flue gases and is highly flexible with wide range of elbows to suit any building constraint.

This system requires the use of the Poujoulat flue gas non-return valve unless the boiler is provided with its own non-return valve.

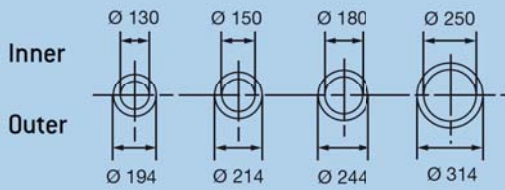


BENEFITS



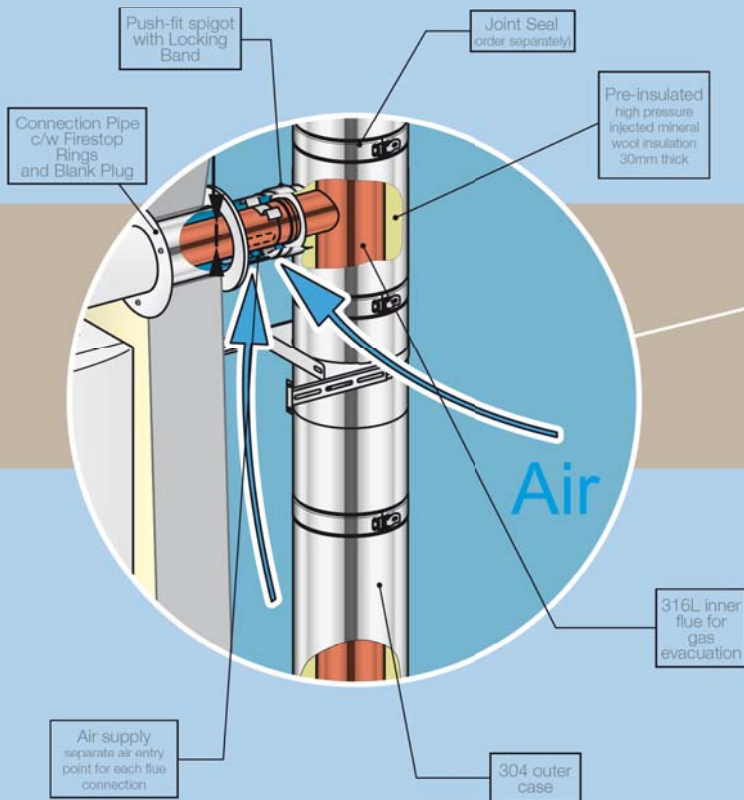
- **PERFORMANCE:** Excellent corrosion resistance with a grade 316L stainless steel inner liner suitable for all positive and condensing applications designated P1 (200 Pa at 160° C)
- **SAFETY:** Provides the end user one flue terminal above the building avoiding multiple plumage problems. The insulated chimney allows the use as an external chimney in cold environments.
- **INSTALLATION:** Easy to install push fit system and easily integrated support components.
- **INNOVATION:** The system design allows offsets to suit renovation project requirements and can be supplied with non-returned valves on the connecting pipes. It can be used in renovation & new build projects, outside the building.
- **AESTHETIC:** No pepper pot terminals on external wall, as flues can be collected into one chimney. This not only provides a physical benefit, but also removes the multiple condensing flues plumes and their possible corrosion effect to the building facade when operating.

Technical data



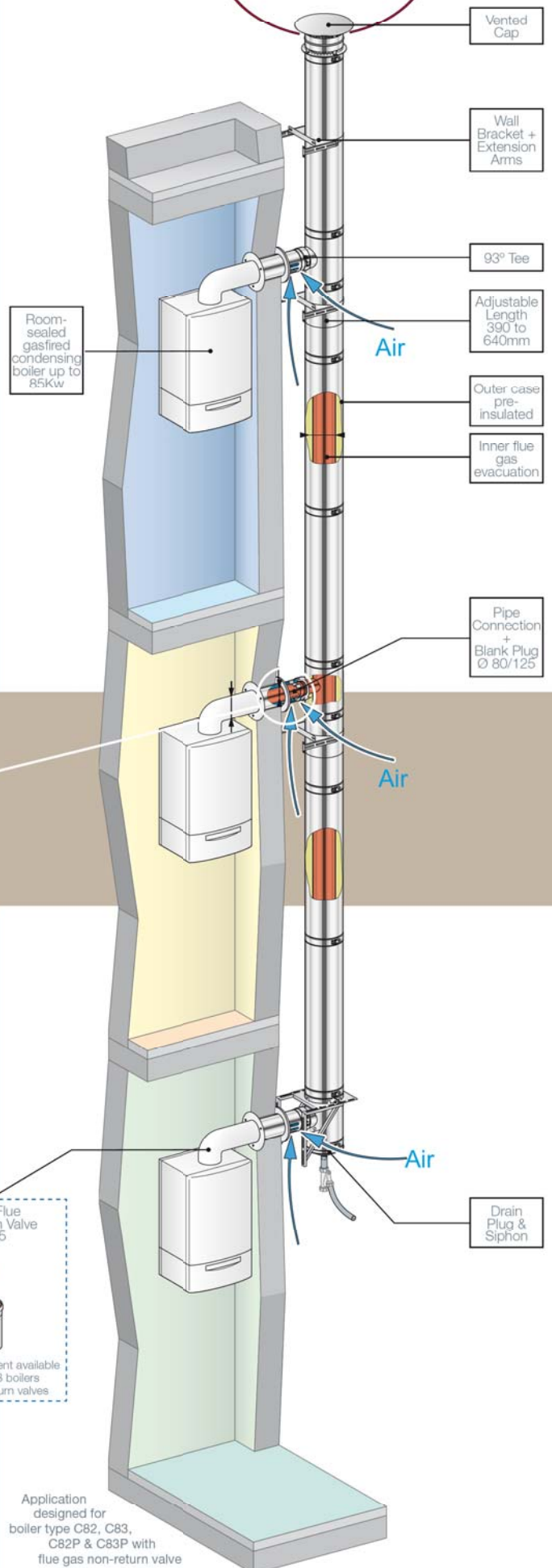
OUTPUT / NUMBER OF BOILERS		
Maximum number of C8 boilers per system	Diameter of the inner flue in mm	Diameter of the outer air supply in mm
6	130	194
9	150	214
13	180	244
20	250	314

Note: 1 boilers per floor with boiler flue gas outlet pressure of 70Pa



Offset possible if required 15°, 30° & 45° Elbows

Smoke



CE 0071 CPD 014
BS EN 1856-1
T250 P1 W V2 L50040 O20

Application designed for boiler type C82, C83, C82P & C83P with flue gas non-return valve

3CE NATURAL

Gas

Suitable for C4 boilers

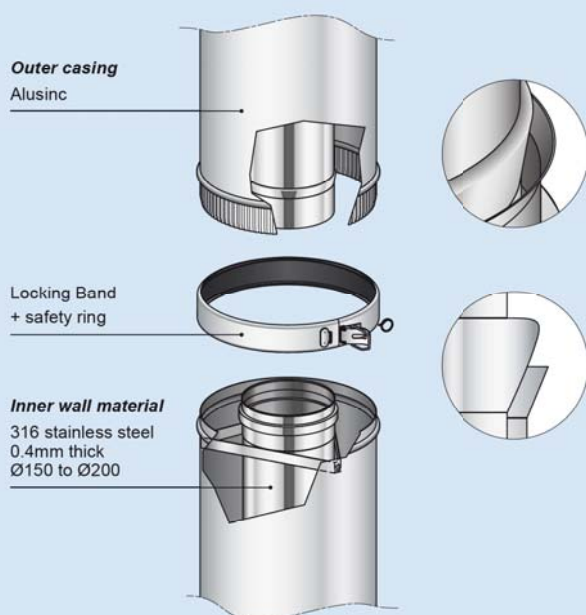
The 3CE NATURAL system chimney is a concentric collective flue working in natural draught for C42 & C43 individual room-sealed boilers (from 2 to 20 boilers)

The 316L stainless steel of the inside wall makes it possible to connect any type of C4 boiler (high efficiency or condensing).

The Poujoulat system has a range of modular elements (with patented system of Joint "cone on cone" system chimney), allowing a gas tight connection to the boilers and ensuring a sealed common shaft. This system is the result of combined research by Poujoulat and Gaz de France.

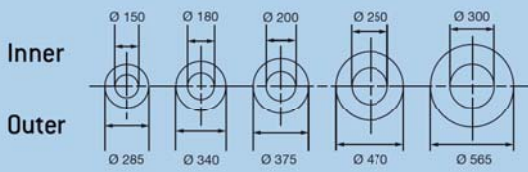


BENEFITS



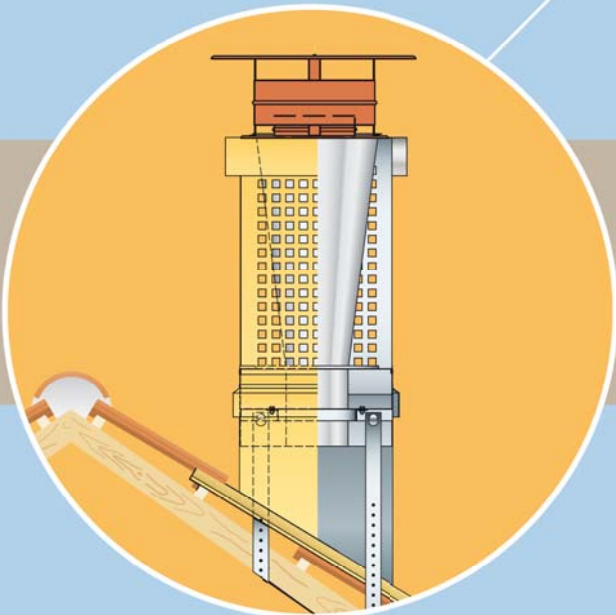
- **OPTIMISATION:** Opens the possibility for condensing boilers to be located away from the building's external wall. Provides a means for combustion gases to be terminated at roof level and comply with Clean Air Act Memorandum (CAAM).
- **PERFORMANCE:** CE marked BSEN 1856-1. Inner flue liner manufactured in 316L stainless steel for the connection of C42 and C43 condensing, low temperature or high efficiency boilers.
- **CHOICE:** Opens the possibility for condensing boilers to be located away from building's external wall.
- **MAINTENANCE:** The drain plug makes it possible to access the installation for inspection.
- **INNOVATION:** From 2 to 20 boilers can be connected with 1 or 2 boilers per level with a 90° or 180° angle within the collective flue.
- **AESTHETIC:** One terminal on the roof instead of unsightly multiple horizontal terminals avoids plumbing and condense staining.

Technical data

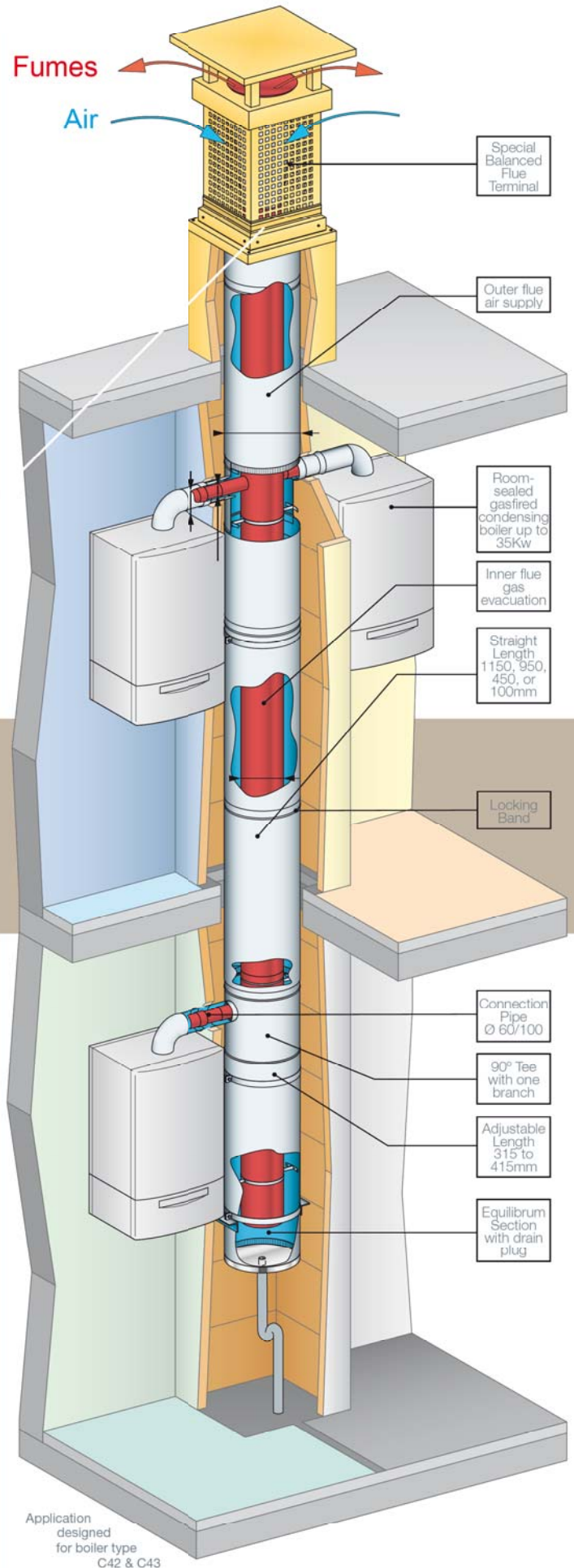


OUTPUT / NUMBER OF BOILERS					
Maximum number of C4 boilers				Diameter of the inner flue in mm	Diameter of the outer air supply in mm
20 kW	25 kW	30 kW	35 kW		
2-4	2	-	-	150	285
5-8	3-5	2-4	2-3	180	340
8-10	6-7	5-6	4-5	200	375
11-16	8-13	7-11	6-9	250	470
17-20	14-19	12-16	10-14	300	565

Note: up to 2 boilers per floor



CE 0071 CPD 014
 BS EN 1856-1:2003
Ø150/285 to Ø200/375
 T160 N1 W V2 L50040 O20
Ø250/470 to Ø300/565
 T160 N1 W V2 L50050 O20



3CE shared collective system chimney termination details

3CE chimney Stack Terminal can be painted in a choice of 12 different colours to integrate perfectly with the building. It rests on a flashing plate specially fabricated to suit the slope and materials of the roof. It can also be delivered with an additional lead flashing kit to facilitate positioning on a tiled roof.

Choice of terminal finishes

> Smooth finishes



> Roughcast finishes



3CE P MULTI+ INTERNAL



3CE P MULTI+ EXTERNAL

3CE NATURAL

Shared flue terminal positioning

> Installation close to an obstacle or other building which is less than 8 metres away, can be achieved with the addition of an optional vent cap terminal (anti-downdraught).
n = number of connected appliances

> Installation without close obstacle or other building
 Rain cap Square
n = number of connected appliances

