

# THERM+ GEP

Wood

Gas

Oil

## Twin Wall Exhaust System

High quality, stainless steel, twin wall, pre-insulated exhaust system. With a continuously welded liner and outer casing provides a pressure resistant joint for applications up to 5000 Pa positive pressure H1 level at 600°C flue gas temperature (BSEN 1856-1).

### Model options:

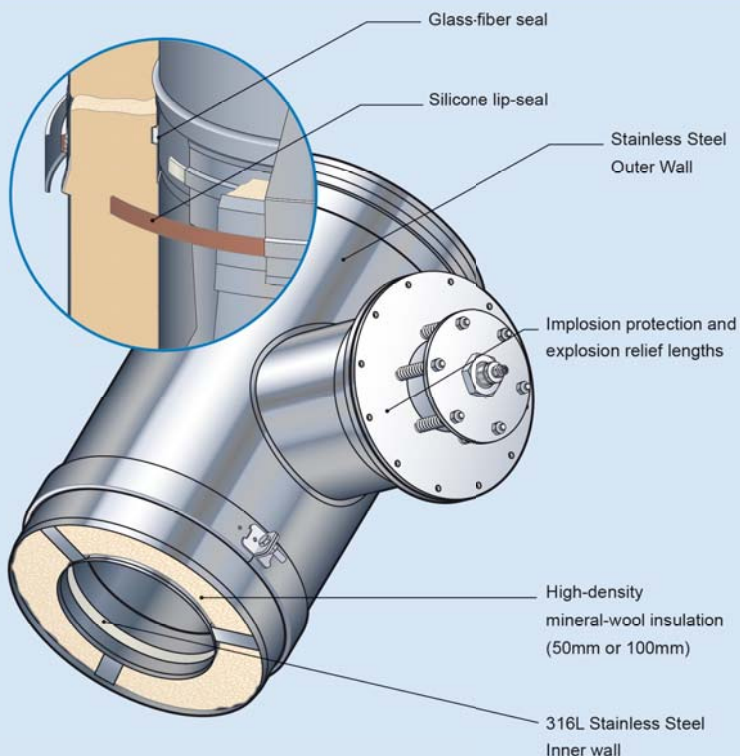
GEP50: 50mm insulation

GEP100: 100mm insulation

Therm+ GEP has been specially designed for standby diesel and gas fuel generators & CHP appliances. Complete with a comprehensive range of standard accessories to suit all applications and environments.



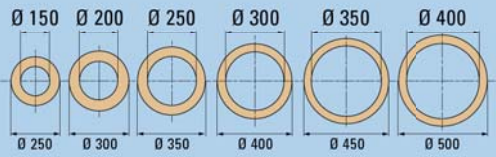
## BENEFITS



- **OPTIMISATION:** High thermal performance ensures maximum efficiency of exhaust operation and minimum use of space in the building with controlled surface temperature guaranteeing personnel safety.
- **PERFORMANCE:** CE marked to BSEN 1856-1.
- **SAFETY:** Only require brackets at 3 metres intervals, with up to 16 metres on a base support with 3 metres free-standing capability.
- **INSTALLATION:** Easy to install push fit joints secured with quick action toggle clip Locking Band, wide range of quality engineered support components with exceptional ability to adjust to suit the building fabric.
- **INNOVATION:** Range of specially designed components to provide additional security to personal and building fabric against explosion and protection of the exhaust system against implosion.
- **ENGINEERED:** Pressure tight joints up to 5000 Pa (H1). Complete with joint Seal, expansion bellows no longer required.

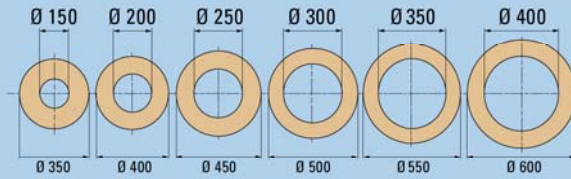
# Technical data

## Therm+ GEP 50



Inner : 316L / Outer : St. Steel  
Insulation : 50mm mineral wool

## Therm+ GEP 100



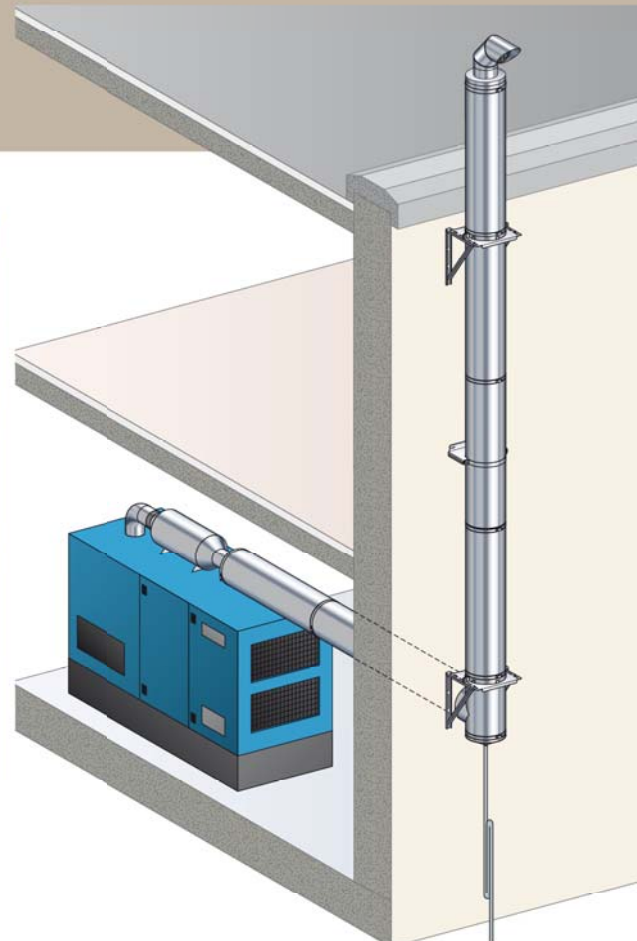
Inner : 316L / Outer : St. Steel  
Insulation : 100mm mineral wool



CE 0071 CPD 038  
BS EN 1856-1  
T600 H1 W V2 L50050\* O50  
\*Ø150 and Ø200 : L50050  
\*Ø250 and Ø300 : L50060  
\*Ø350 and Ø400 : L50070

# MATERIAL SPECIFICATION

Inner Ø	150	200	250	300	350	400
Outer Ø THERM+ GEP 50	250	300	350	400	450	500
Outer Ø THERM+ GEP 100	350	400	450	500	550	600
Inner wall Material	316L Stainless Steel					
Thickness	0.5 mm	0.6 mm	0.7 mm			
Outer wall	Stainless Steel					
Thickness	0.5 mm					0.6 mm
Insulation	Mineral wool ( 100Kg/m <sup>3</sup> )					
Thickness THERM+ GEP 50	50 mm					
Thickness THERM+ GEP 100	100 mm					
Thermal resistance THERM+ GEP 50 in m <sup>2</sup> *k/W by 200°C	0.76					
Thermal resistance THERM+ GEP 100 in m <sup>2</sup> *k/W by 200°C	1.55					



Note\*: Suitable silencers are available from our Beirens range of products.